

6177400

6177400A 6177400G

3Xpol | 65° Az | 18.0 / 17.9 / 18.0 dBi | 0-12° / 0-12° / 0-12° | 1394 x 392 x 114 mm

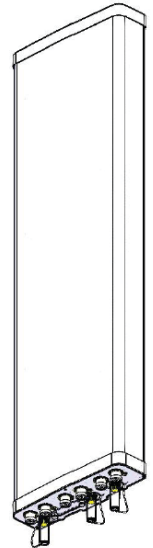
- Triple Ultra Wideband antenna, dual polarisation, 6 connectors
- Wide range of electrical tilt, variable 0-12° on each antenna
- MET and RET versions, AISG1.1 or 3GPP/AISG2.0
- Fully internal RET control based on our patented technologies

ORDERING OPTIONS	MODEL NUMBER
Manual Electrical Tilt Antenna	6177400
Remote Electrical Tilt Antenna AISG1.1	6177400A
Remote Electrical Tilt Antenna 3GPP/AISG2.0 with an MDCU RET Actuator	6177400G

ACCESS PORT DESCRIPTION (CONNECTORS)

This antenna is built with three identical Single-Band Antennas, housed side-by-side in the same shroud. The antenna has 6 colour-coded connectors located at the bottom face. See image on the following page.

Frequency Designation	Y1	Y2	Y3
Frequency Range	1710-2690 MHz	1710-2690 MHz	1710-2690 MHz
Polarisation	Xpol	Xpol	Xpol
Horizontal Beamwidth	65°	65°	65°
Electrical Downtilt Range	0-12°	0-12°	0-12°
Connector Type	(2x) 7/16-DIN Female Long Neck	(2x) 7/16-DIN Female Long Neck	(2x) 7/16-DIN Female Long Neck



ELECTRICAL CHARACTERISTICS	Y1				
Frequency Bands	1710-2690 MHz				
	1710-1880 MHz	1850-1990 MHz	1920-2180 MHz	2300-2500 MHz	2490-2690 MHz
Gain	17.0 dBi ± 0.7 dB	17.3 dBi ± 0.7 dB	17.5 dBi ± 0.8 dB	18.0 dBi ± 0.8 dB	18.0 dBi ± 0.8 dB
Input Impedance	50Ω				
VSWR	< 1.5				
Polarisation	±45°				
Horizontal Beamwidth (-3 dB)	65° ± 4°	66° ± 3°	67° ± 3°	64° ± 2°	59° ± 3°
Vertical Beamwidth (-3 dB)	7.2° ± 0.8°	6.5° ± 0.7°	6.1° ± 0.6°	5.2° ± 0.2°	5.0° ± 0.3°
Electrical Downtilt Range	0-12°				
Inter / Intra Band Isolation	> 30 / > 28 dB				
Upper Sidelobe Rejection (20° sector above main beam)	> 18 dB				
Front-to-Back Ratio	@ 180°	> 28 dB			
	@ 180° ±30°	> 25 dB			
Maximum Power (Per Port)	160 W				
Intermodulation 3rd Order for 2 x 20W Carriers	< -153 dBc				



Values based on NGMN-P-BASTA version 9.6 requirements.

Several patents pending regarding this product. Quoted performance parameters are provided to offer typical, peak or range values only and may vary as a result of normal testing, manufacturing and operational conditions. Extreme operational conditions and/or stress on structural supports is beyond our control. Such conditions may result in damage to this product. Improvements to products may be made without notice.

1710-2690 | 1710-2690 | 1710-2690 MHz

6177400

6177400A 6177400G

3Xpol | 65° Az | 18.0 / 17.9 / 18.0 dBi | 0-12° / 0-12° / 0-12° | 1394 x 392 x 114 mm

ELECTRICAL CHARACTERISTICS		Y2				
		1710-2690 MHz				
Frequency Bands		1710-1880 MHz	1850-1990 MHz	1920-2180 MHz	2300-2500 MHz	2490-2690 MHz
Gain		16.9 dBi ± 0.7 dB	17.2 dBi ± 0.7 dB	17.4 dBi ± 0.8 dB	17.9 dBi ± 0.8 dB	17.9 dBi ± 0.8 dB
Input Impedance		50Ω				
VSWR		< 1.5				
Polarisation		±45°				
Horizontal Beamwidth (-3 dB)		67° ± 4°	66° ± 3°	67° ± 3°	64° ± 2°	60° ± 3°
Vertical Beamwidth (-3 dB)		7.2° ± 0.8°	6.5° ± 0.7°	6.1° ± 0.6°	5.2° ± 0.2°	5.0° ± 0.3°
Electrical Downtilt Range		0-12°				
Inter/Intra Band Isolation		> 30 / > 28 dB				
Upper Sidelobe Rejection (20° sector above main beam)		> 18 dB				
Front-to-Back Ratio	@ 180° @ 180° ±30°	> 30 dB > 25 dB				
Maximum Power (Per Port)		160 W				
Intermodulation 3rd Order for 2 x 20W Carriers		< -153 dBc				

Values based on NGMN-P-BASTA version 9.6 requirements.

ELECTRICAL CHARACTERISTICS		Y3				
		1710-2690 MHz				
Frequency Bands		1710-1880 MHz	1850-1990 MHz	1920-2180 MHz	2300-2500 MHz	2490-2690 MHz
Gain		17.0 dBi ± 0.7 dB	17.3 dBi ± 0.7 dB	17.5 dBi ± 0.8 dB	18.0 dBi ± 0.8 dB	18.0 dBi ± 0.8 dB
Input Impedance		50Ω				
VSWR		< 1.5				
Polarisation		±45°				
Horizontal Beamwidth (-3 dB)		65° ± 4°	66° ± 3°	67° ± 3°	64° ± 2°	59° ± 3°
Vertical Beamwidth (-3 dB)		7.2° ± 0.8°	6.5° ± 0.7°	6.1° ± 0.6°	5.2° ± 0.2°	5.0° ± 0.3°
Electrical Downtilt Range		0-12°				
Inter/Intra Band Isolation		> 30 / > 28 dB				
Upper Sidelobe Rejection (20° sector above main beam)		> 18 dB				
Front-to-Back Ratio	@ 180° @ 180° ±30°	> 28 dB > 25 dB				
Maximum Power (Per Port)		160 W				
Intermodulation 3rd Order for 2 x 20W Carriers		< -153 dBc				

Values based on NGMN-P-BASTA version 9.6 requirements.

Several patents pending regarding this product. Quoted performance parameters are provided to offer typical, peak or range values only and may vary as a result of normal testing, manufacturing and operational conditions. Extreme operational conditions and/or stress on structural supports is beyond our control. Such conditions may result in damage to this product. Improvements to products may be made without notice.

6177400

6177400A 6177400G

3Xpol | 65° Az | 18.0 / 17.9 / 18.0 dBi | 0-12° / 0-12° / 0-12° | 1394 x 392 x 114 mm

ELECTRICAL DOWNTILT CONTROL

Electrical downtilt for each band can be controlled separately. Tilt indicator(s) are covered by removable transparent cap(s).

Manual Electrical Tilt (MET) Control	A coloured knob at the end of the tilt indicator allows change of the tilt without need of a tool. The knob colour is identical to the corresponding connector ring colour. To access the knob, remove the cap by turning it counter-clockwise. It is re-installed by opposite rotation. Do not remove the transparent cap(s) from the antenna.
Remote Electrical Tilt (RET) Control	The remote control of the electrical tilt is managed by a Multi-Device Control Unit (MDCU) inserted in the bottom of the antenna. A single actuator individually controls the tilt of each band (no need for daisy chain cables between the bands). This module does not add any additional length to the antenna. For RET control, the transparent caps must be in place and locked. The tilt angle indicators always remain visible and the antenna still has manual tilt control (manual override).

RET-Ready antennas are delivered with the RET Actuator (MDCU) already installed and pre-commissioned with all antenna parameters. Every RET device is factory configured and calibrated so the antenna is ready to be used once delivered to the site which means that there is no need for further installation of RET devices or for programming their configuration or for running a calibration process.

RET-Ready Actuator (one per antenna)	Multi-Device Control Unit (MDCU). The MDCU is an electronic module that allows the remote control of the electrical downtilt (RET) in Amphenol antennas with factory embedded motors. Refer to ordering options.		
	Part Number	MDCU-A0000 for AISG1.1 Protocol	One MDCU-A0000 unit included in 6177400A
	Part Number	MDCU-G0000 for 3GPP/AISG2.0 Protocol	One MDCU-G0000 unit included in 6177400G

1710-2690 | 1710-2690 | 1710-2690 MHz

6177400

6177400A 6177400G

3Xpol | 65° Az | 18.0 / 17.9 / 18.0 dBi | 0-12° / 0-12° / 0-12° | 1394 x 392 x 114 mm

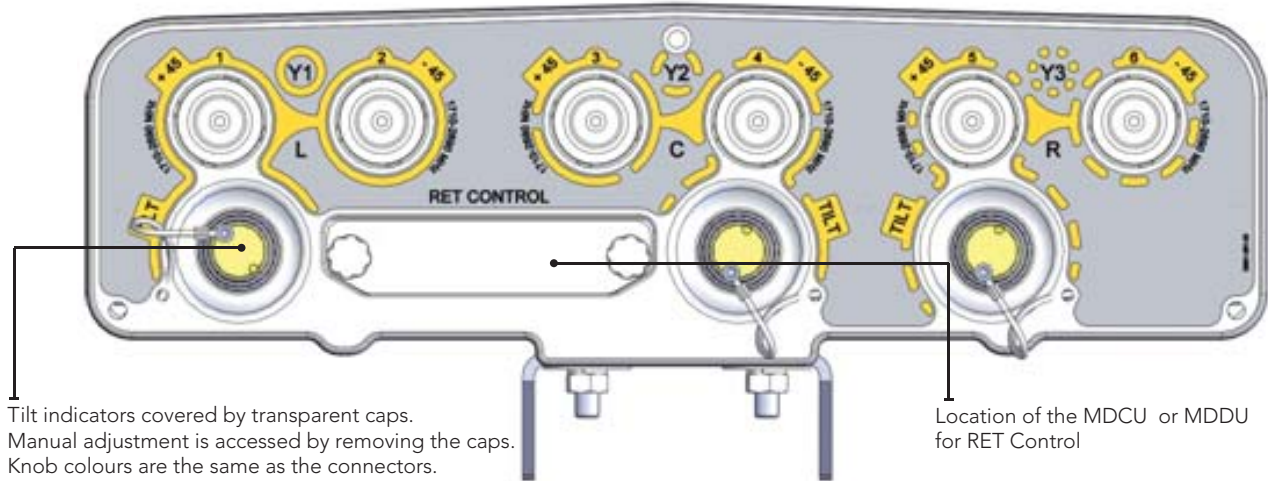
ENVIRONMENTAL CHARACTERISTICS		PACKAGING	
Operating Temperature Range	-40° C to +60° C		
Environmental	ETS 300 019		
RoHS Compliant	Yes		
MECHANICAL CHARACTERISTICS		Carton Box 1.61 x 0.49 x 0.25 m 0.13 m ³ 28 kg	
Dimensions (see drawing)	Height: 1394 mm Width: 392 mm Depth: 114 mm		
Weight	22.5 kg (excluding mounting accessory)		
Shroud	Outdoor plastic, Grey RAL7035		
Wind Speed	Operational: 160 km/hr Survival: 200 km/h		
Wind Load at 150 km/h	Frontal: 625 N Lateral: 250 N Rear: 678 N		
MOUNTING KIT OPTIONS		PART NUMBER	WEIGHT
All mounting bracket kits are ordered separately unless otherwise indicated.			
Brackets for pole Ø48 to Ø115 mm (delivered as standard)		0900181/00	3.4 kg
Brackets for pole Ø70 to Ø150 mm (optional)		0900182/00	3.9 kg
Kit to add mechanical tilt (0°-10°) to above brackets (optional)		0900397/00	3.0 kg
Wall mounting brackets are available upon request.			

6177400

6177400A 6177400G

3Xpol | 65° Az | 18.0 / 17.9 / 18.0 dBi | 0-12° / 0-12° / 0-12° | 1394 x 392 x 114 mm

Bottom View of Antenna



Tilt indicators covered by transparent caps. Manual adjustment is accessed by removing the caps. Knob colours are the same as the connectors.

Location of the MDCU or MDDU for RET Control

Installation



Always attach the antenna by the two mounting points. Do not install the antenna with the connectors facing upward.

In order to operate RET control, the transparent cap covering the tilt adjustment indicator must be engaged and locked. Do not cut it from the antenna.

Dimensions (in mm)

