

L-100DXxx-CC

This model was previously released as AL-100-DL-xx-CC

100W Termination Loads | Indoor / Outdoor

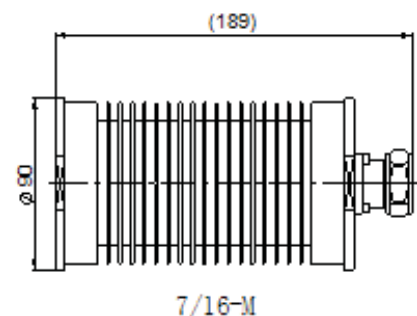
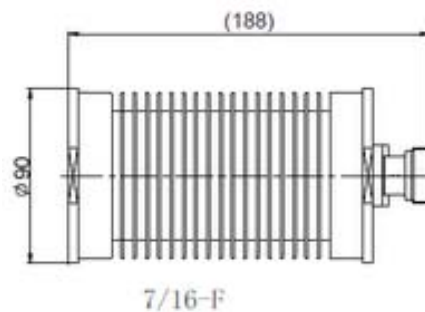
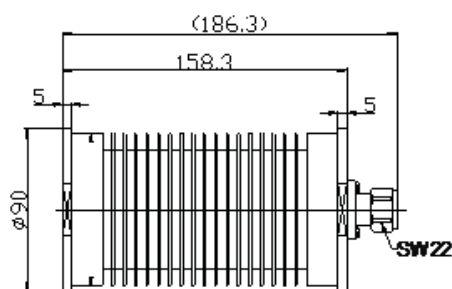
- Absorbs RF and microwave energy
- Available with a variety of connector options

Ordering Options				
Model Number	L-100DX43F-CC	L-100DX43M-CC	L-100DXDF-CC	L-100DXDM-CC
Electrical Characteristics				
Frequency Range	30-3000 MHz	30-3000 MHz	DC-3 GHz	30-3000 MHz
VSWR	≤ 1.20	≤ 1.20	≤ 1.2	≤ 1.20
Power	100 W	100 W	100 W	100 W
IM (2x43 dBm)	≤ -160 dBc	≤ -160 dBc	≤ -160 dBc	≤ -160 dBc
Impedance	50Ω	50Ω	50Ω	50Ω
Mechanical Characteristics				
Dimensions (Height x Diameter without connectors)	158.3 x Ø90 mm	158.3 x Ø90 mm	188 x Ø90 mm	189 x Ø90 mm
Connector Type (xx)	4.3/10 Female (43F)	4.3/10 Male (43M)	7/16-DIN Female (DF)	7/16-DIN Male (DM)
Environmental Characteristics				
Operating Temperature	-40° C to +55° C	-40° C to +55° C	-40° C to +55° C	-40° C to +55° C
Relative Humidity	0-95%	0-95%	0-95%	0-95%
Application	Indoor / Outdoor	Indoor / Outdoor	Indoor / Outdoor	Indoor / Outdoor
Environmental	IP65	IP65	IP65	IP65

L-100DX43F-CC & L-100DX43M-CC

L-100DXDF-CC

L-100DXDM-CC



Quoted performance parameters are provided to offer typical, peak or range values only and may vary as a result of normal testing, manufacturing and operational conditions. Extreme operational conditions and/or stress on structural supports is beyond our control. Such conditions may result in damage to this product. Improvements to products may be made without notice.