

Features:

- Combines LTE800-EGSM900 With GSM1800-LTE2100
- Very Low Loss, < 0.4dB at all ports
- Compact with flexible mounting arrangements
- High Reliability
- All DC and AISG path-through options available

Filter Specifications

Passband Port 1
Passband Port 2

790 to 960MHz
1710 to 2170MHz

LTE800-EGSM900 Port

Insertion Loss

< 0.3dB

Return Loss

> 18dB

Power Handling

250W

Intermodulation in Rx Band

> 160dBc (2 x 43dBm tones)

Rejection Port 2

> 50dB

EGSM1800-LTE2600 Port

Insertion Loss

< 0.25dB

Return Loss

> 18dB

Power Handling

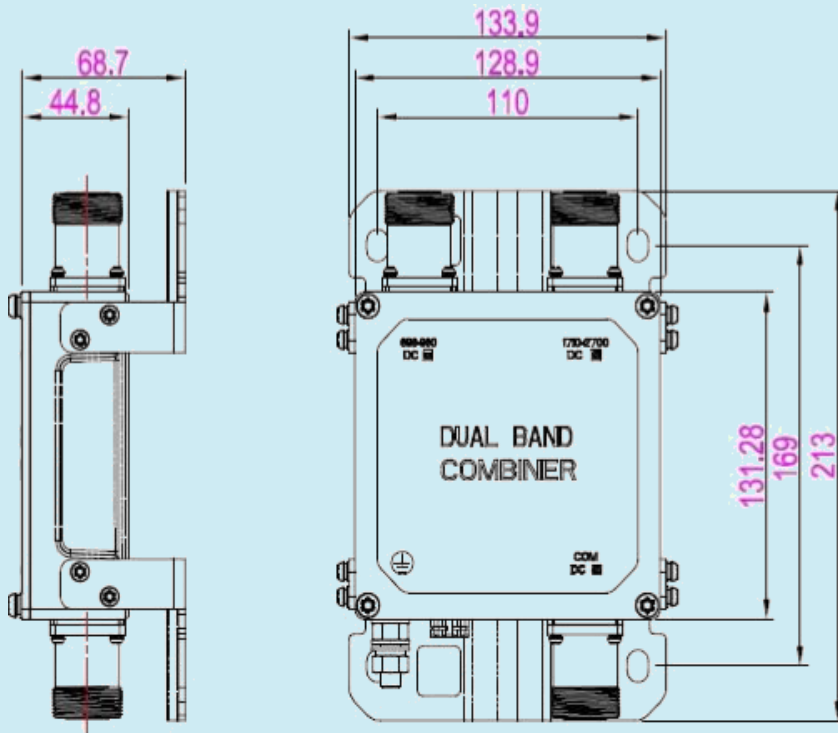
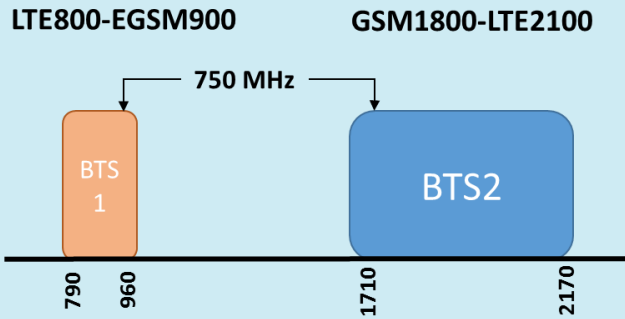
250W

Intermodulation in Rx Band

> 160dBc (2 x 43dBm tones)

Rejection Port 1

> 50dB



DC and AISG

DC / AISG Path
Connections
Communication Band
DC

Transparent to all ports
Port 1 and/or Port 2 to Port 3
2.176MHz ASIG
< 2.5A, < 10 to 32V

Mechanical

Connectors
Dimensions
Weight
Colour
Mounting arrangements

3 x 7/16 DIN Female, Long Neck
132 x 45 x 130 mm
2.0kg (4 lbs)
Light grey
Rack, wall or pole

Environmental

Operating Temp (°C)
Altitude
Ingress Protection
Humidity

-30 to +50
< 2500 m
IP67
< 90%

EMEA
Filtronic Wireless Ltd.
3 Airport West
Lancaster Way
Yeadon
United Kingdom
+44 174 062 5163

Americas
Filtronic Wireless Inc.
700 Marvel Rd
Salisbury
MD 21801
United States of America
+1 410 202 8811