

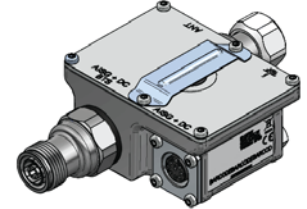
SBT-5553800-xxx

SMART BIAS-T | 555-3800 MHz

Ordering Options

When ordering replace "xxx" in the model number with the letters that correspond to the desired connector configuration.

Model Number	Connector Configuration		
	Antenna / Equipment Connector Port 1	Line Connector Port 2	AISG Connector Port 3
SBT-5553800-MFF	4.3/10 Male	4.3/10 Female	Female



Electrical Characteristics

Frequency Band	555-3800 MHz
Insertion Loss	0.1 dB
Return Loss	20 dB
RF Power (max)	750 W
DC Current	2.7 A
Voltage Drop	1 V
Intermodulation (2x43 dBm)	-117 dBm
Isolation (RF - DC)	65 dB
Modem Frequency	2.176 MHz

Environmental Characteristics

Operating Temperature	-40° to +65° C (-40° to 149° F)
Ingress Protection	IP66
Lightning Protection	10 kA 8/20 µs; 3 kA 10/350 µs

Mechanical Characteristics

Dimensions (Length x Width x Depth)	76 x 88 x 48 mm	3.0 x 3.5 x 1.9 in
Weight	0.75 kg	1.7 lbs

Connector Characteristics

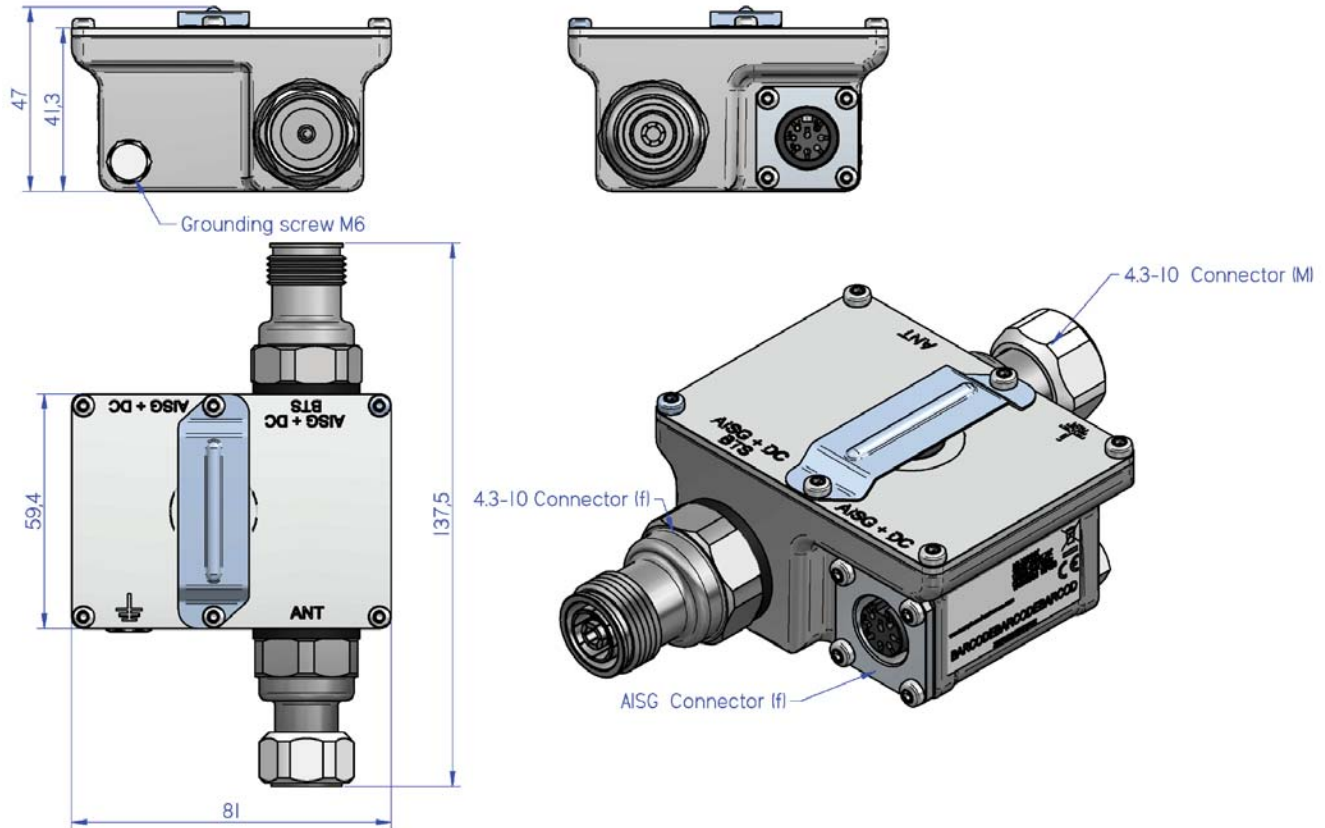
Connector Type	BTS	4.3/10 Female (DC & AISG Signaling)		
	ANT	4.3/10 Male (DC GND)		
	AISG	8-Pin Circular Female		
		Pin 1: Not Connected	Pin 5: RS485-A	
		Pin 2: Not Connected	Pin 6: 9-30 VDC	
		Pin 3: RS485-B	Pin 7: DC Return (ground)	
Pin 4: Not Connected	Pin 8: Not Connected			

Quoted performance parameters are provided to offer typical, peak or range values only and may vary as a result of normal testing, manufacturing and operational conditions. Extreme operational conditions and/or stress on structural supports is beyond our control. Such conditions may result in damage to this product. Improvements to products may be made without notice.

SBT-5553800-xxx

SMART BIAS-T | 555-3800 MHz

Dimensions



Quoted performance parameters are provided to offer typical, peak or range values only and may vary as a result of normal testing, manufacturing and operational conditions. Extreme operational conditions and/or stress on structural supports is beyond our control. Such conditions may result in damage to this product. Improvements to products may be made without notice.