

SP-xxMX-43F-CC

This model was previously released as APS-xx-WBM-XP-43F-CC

Power Splitter | 4.3/10 Female | Square Body

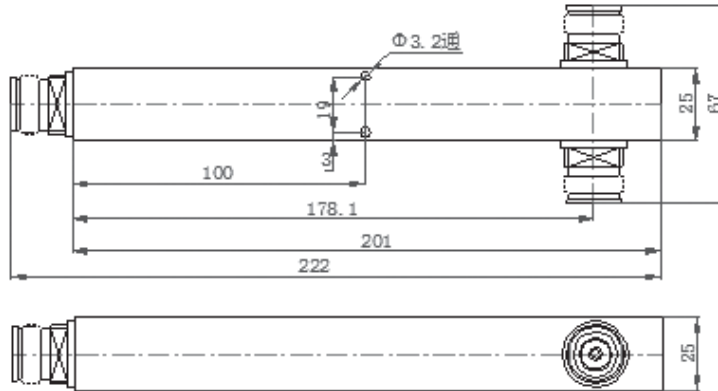
Ordering Options		2-Way Splitter	3-Way Splitter	4-Way Splitter
Model Number (xx)		SP-02MX-43F-CC	SP-03MX-43F-CC	SP-04MX-43F-CC
				
Electrical Characteristics				
Frequency Range		698-2700 MHz	698-2700 MHz	698-2700 MHz
VSWR		≤ 1.20	≤ 1.25	≤ 1.3
Power Rating		500 W	500 W	500 W
PIM3 (2x43 dBm)		≤ -160 dBc	≤ -160 dBc	≤ -160 dBc
Insertion Loss		< 0.2 dB	< 0.3 dB	< 0.4 dB
Split Loss		3 dB	4.8 dB	6.4 dB
Peak Power (max)		1.3 kW	1.3 kW	1.3 kW
Impedance		50Ω	50Ω	50Ω
Mechanical Characteristics				
Dimensions (Length x Width x Depth)		222 x 67 x 25 mm	241 x 67 x 25 mm	240 x 67 x 46 mm
Weight		0.355 kg	0.39 kg	0.435 kg
Plating	Inner Contact	Silver	Silver	Silver
	Outer Trimetal	Trimetal	Trimetal	Trimetal
Connector		4.3/10 Female	4.3/10 Female	4.3/10 Female
Environmental Characteristics				
Operating Temperature		-30° C to +75° C (-22° F to +167° F)	-30° C to +75° C (-22° F to +167° F)	-30° C to +75° C (-22° F to +167° F)
Relative Humidity		Up to 100%	Up to 100%	Up to 100%
RoHS Compliant		yes	yes	yes
Application		Indoor / Outdoor	Indoor / Outdoor	Indoor / Outdoor
Environmental		IP67	IP67	IP67

Quoted performance parameters are provided to offer typical, peak or range values only and may vary as a result of normal testing, manufacturing and operational conditions. Extreme operational conditions and/or stress on structural supports is beyond our control. Such conditions may result in damage to this product. Improvements to products may be made without notice.

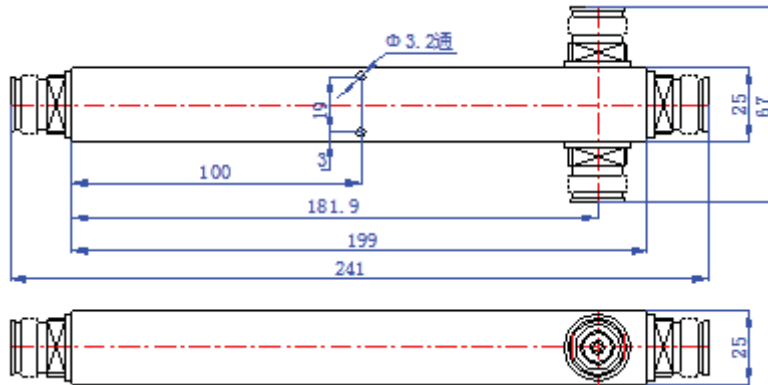
SP-xxMX-43F-CC

Power Splitter | 4.3/10 Female | Square Body

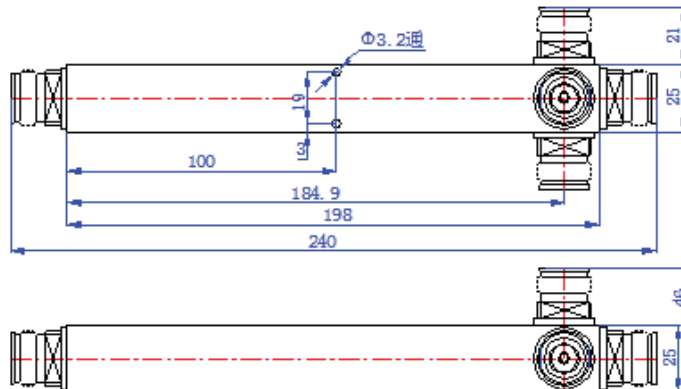
Dimensions - SP-02MX-43F-CC



Dimensions - SP-03MX-43F-CC



Dimensions - SP-04MX-43F-CC



Quoted performance parameters are provided to offer typical, peak or range values only and may vary as a result of normal testing, manufacturing and operational conditions. Extreme operational conditions and/or stress on structural supports is beyond our control. Such conditions may result in damage to this product. Improvements to products may be made without notice.