

## Features:

- Dual Combiner in a Single Box
- Dual MIMO in-band 1800MHz Combining
- Able to Insert a 10MHz LTE Carrier Between 1800MHz GSM Blocks With Minimal Spectral Loss
- Symmetrical ultra-narrow Guard Bands, 700KHz Each Side
- Factory Configurable DC/AISG Pass-through
- IP67 Rated for Outdoor Use

## Filter Specifications

Passband BTS1A / BTS1B

Passband BTS2A / BTS2B

Cross Over Point BTS1/BTS2

Guard Band BTS1/BTS2

≤10MHz block combined with another tuneable size block both factory tuneable within 1800MHz band  
 Factory tuneable to any block size within 1800MHz band  
 Factory Tuneable to any frequency within 1800MHz band  
 2x700 KHz

## Uplink (RX) Specifications

Insertion Loss

BTS1A to ANTA, BTS1B to ANTB

BTS2A to ANTA, BTS2B to ANTB

Return Loss, all ports

< 0.75dB typical, 1.5dB max bandedge

< 0.75dB typical, 1.5dB max bandedge

> 18dB

## Downlink (TX) Specifications

Insertion Loss

BTS1A to ANTA, BTS1B to ANTB

BTS2A to ANTA, BTS2B to ANTB

Return Loss, all ports

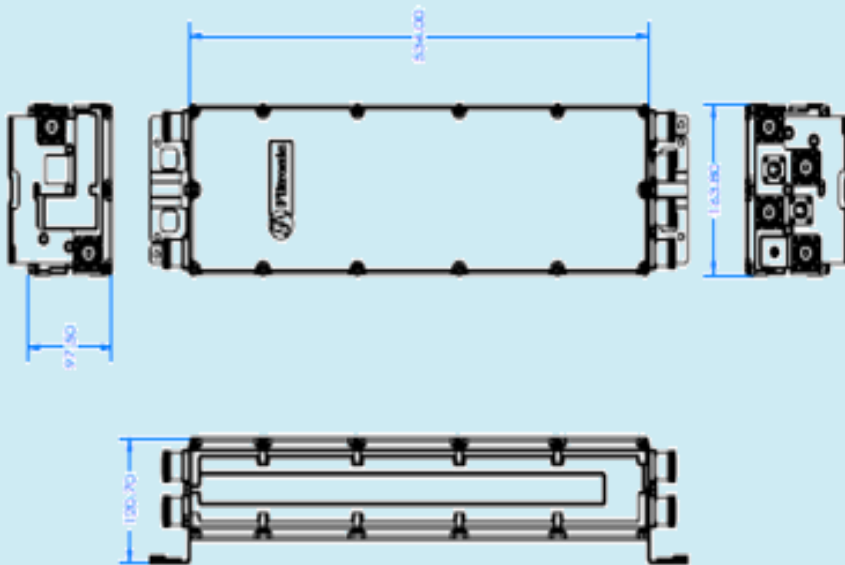
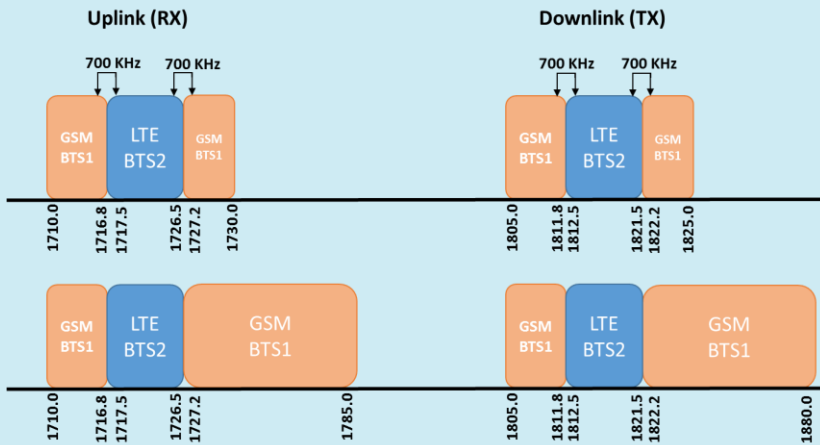
IMD in RX Band

< 0.75dB typical, 1.5dB max bandedge

< 0.75dB typical, 1.5dB max bandedge

> 18dB

> 160dBc (2 x 43dBm tones)



## BTS to BTS Isolation

BTS1A to BTS2A / BTS1B to BTS2B >30dB

## Configuration Example

Passband BTS1A / BTS1B

1805.0 to 1811.8MHz and 1822.2 to 1825.0MHz TX  
1710.0 to 1716.8MHz and 1727.7 to 1730.0MHz RX

Passband BTS2A / BTS2B

1812.5 to 1821.5MHz TX, 1717.5 to 1726.5MHz RX

## DC and AISG

AISG Path

Factory configurable

Connections

BTS1A/B or BTS2A/B to ANT A/B

Communications Band

2.176MHz AISG

DC

< 2.5 A, 10 to 32 V

## Mechanical

Connectors

6 x 7/16 DIN Female, Long Neck

Dimensions

164 x 524 x 100 mm

Weight

10.5 kg (23.15lbs)

Colour

Light grey powder coat

Mounting arrangements

Rack, wall or pole

## Environmental

Operating Temp (°C)

-30 to +50

Altitude

< 2500 m

Ingress Protection

IP67

Humidity

< 90%

**EMEA**  
Filtronic Wireless Ltd.  
3 Airport West  
Lancaster Way  
Yeadon  
United Kingdom  
+44 174 062 5163

**Americas**  
Filtronic Wireless Inc.  
700 Marvel Rd  
Salisbury  
MD 21801  
United States of America  
+1 410 202 8811